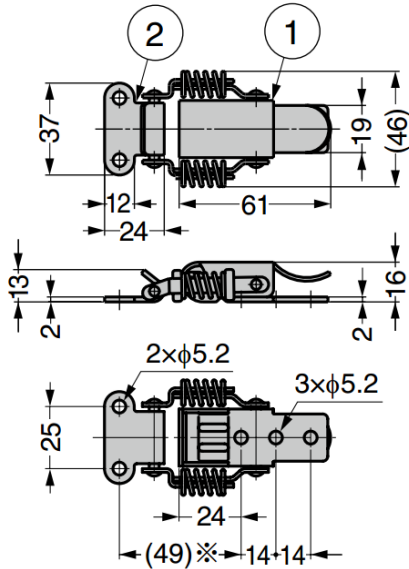


GSCC-60 Spring Loaded Stainless Steel Draw Latch

Features

- Spring loaded design ideal for doors and covers that require dust or drip proofing



※In case of clamping margin "0 mm".



| Clamping Margin mm | Clamping Force N | Clamping Force kgf |
|--------------------|------------------|--------------------|
| 1 | 80 | 8.2 |
| 2 | 120 | 12.2 |
| 3 | 160 | 16.3 |

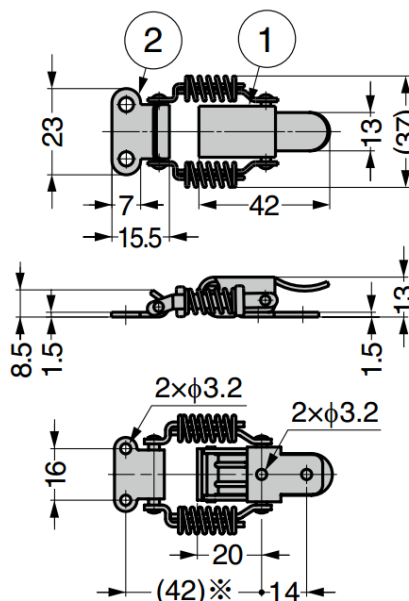
| No. | Part Name | Material | Finish |
|-----|---------------|--------------------------|-----------------|
| ① | Body | Stainless Steel (SUS304) | Barrel Polished |
| ② | Counter Plate | | |

| Part No. | Load Capacity | |
|----------|---------------|-------|
| GSCC-60 | 600 N | 61 kg |

GSCC-40 Spring Loaded Stainless Steel Draw Latch

Features

- Spring loaded design ideal for doors and covers that require dust or drip proofing



※In case of clamping margin "0 mm".



| Clamping Margin mm | Clamping Force N | Clamping Force kgf |
|--------------------|------------------|--------------------|
| 1 | 55.5 | 5.7 |
| 2 | 68 | 6.9 |
| 3 | 80.5 | 8.2 |

| No. | Part Name | Material | Finish |
|-----|---------------|--------------------------|-----------------|
| ① | Body | Stainless Steel (SUS304) | Barrel Polished |
| ② | Counter Plate | | |

| Part No. | Load Capacity | |
|----------|---------------|-------|
| GSCC-40 | 250 N | 25 kg |